



LEVIATHAN 12Tonne CAPACITY 4 POST COMMERCIAL VEHICLE LIFT

SF 8897



KEY FEATURES

- Electro mechanical operation
- Long lifting platform
- Overload safety system
- Wide Platforms for twin wheeled vehicles
- Heavy duty construction
- Extra width between column



LEVIATHAN COMMERCIAL VEHICLE LIFTS 12,000kg LIFTING CAPACITY

INSTALLATION & APPLICATION

The Leviathan 12 tonne lift from Tecalemit is a heavy - duty commercial vehicle lift. The lift is powered by 4 x 2.2Kw motors synchronised form a single control box mounted on a master column.

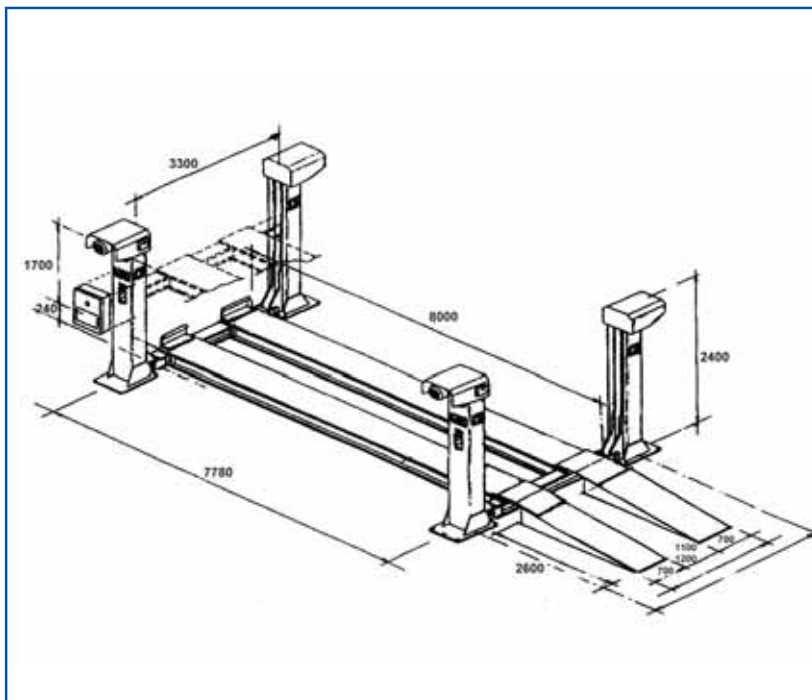
The lift has been configured to accommodate a broad range of longer wheel base vehicles up to a gross vehicle weight of 12000kg. Design features include additional width (3300mm) between the columns and 700mm wide platforms to ensure that twin wheeled vehicles are fully supported by the platform.

Installation of the lift should be in a covered area protected from prevailing weather. Consult your local Tecalemit Area Sales Manager for details of floor specification and power supply requirements.

TECHNICAL SPECIFICATIONS & DIMENSIONS

SF 8995 SF 8906 SF 8897

	SF 8995	SF 8906	SF 8897
Platform Length	6000mm	7000mm	8000mm
Platform Width	700mm	700mm	700mm
Distance between platforms	1100mm	1100mm	1100mm
Drive-on Ramp Length beyond	1500mm	1500mm	1500mm
Cross Member			
Column Height	2400mm	2400mm	2400mm
Drive Through Width between	3300mm	3300mm	3300mm
Columns			
Minimum Platform Height	180mm	180mm	180mm



PART NO & ORDERING INFORMATION

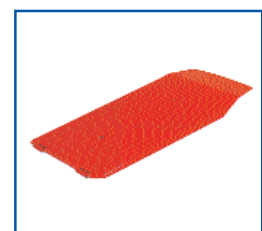
Leviathan 12t Electro/Mechanical 8M Platform 3Ph, Surface Mounted	SF 8897
Leviathan 12t Electro/Mechanical 8M Platform 3Ph, Recessed	SF 8897/ REC
Leviathan 12t Electro/Mechanical 7M Platform 3Ph, Surface Mounted	SF 8906
Leviathan 12t Electro/Mechanical 7M Platform 3Ph, Recessed	SF 8906/ REC
Leviathan 12t Electro/Mechanical 6M Platform 3Ph, Surface Mounted	SF 8995
Leviathan 12t Electro/Mechanical 6M Platform 3Ph, Recessed	SF 8995/REC

OPTIONS & ACCESSORIES

1 pair of 1M Drive through Ramps	OA 60087
1 pair of 1.5M Drive through Ramps	OA 60088
1 pair of 2.5M Drive through Ramps	OA 60089
Lighting Kit 3 + 3 Lamps (cannot be retro fitted)	OA 60090



Lighting Kit



Drive Through Ramp

SERVICE

Tecalemit have a team of over 50 service engineers covering the whole of the UK. On-site maintenance, testing, re-calibration and trouble-shooting can all be carried out with the minimum of fuss and downtime for customers. Please consult our Plymouth Service Centre for further information on 01752 219100.

WARRANTY

All products carry a 12 month warranty from the date of supply/installation, installation to be carried out by Tecalemit engineers. Exceptions to this being electrical cables and consumables.

SALES

Tecalemit Garage Equipment Co Ltd, Eagle Road, Langage Business Park, Plympton, Plymouth, Devon PL7 5JY

Tel: 00 44 (0) 1752 219111
Fax: 00 44 (0) 1752 219128
Email: sales@tecalemmit.co.uk
Web: www.tecalemmit.co.uk



All information in this document correct at time of publication. Tecalemit reserves the right to amend and alter specifications without prior notice. Please confirm any critical requirements with your supplier at time of ordering.

© Tecalemit 2004

Issue No: 493/4 - 01.04